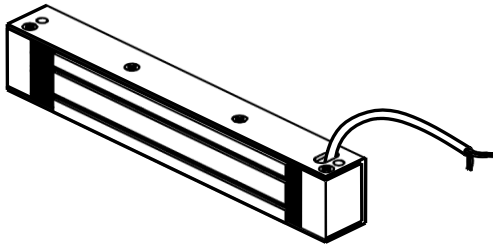


# SAT EL350S - 350LBS MAGNETIC LOCK

## Installation instructions



### Suitable for:

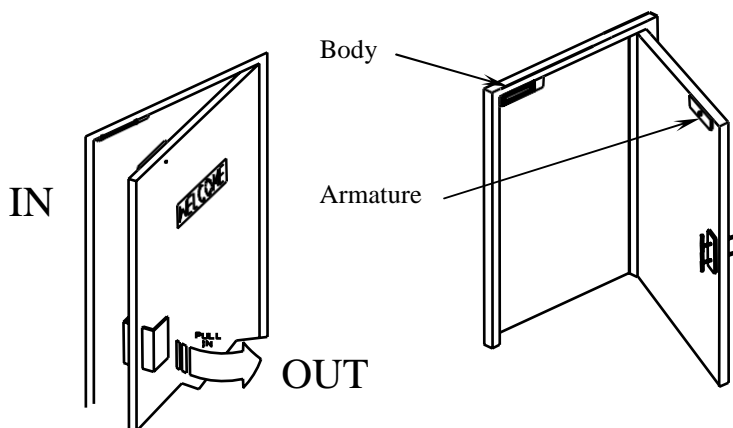
- Out Swing door
- High traffic doors
- Control Access applications
- 170X41.5X20.5(mm)

## Electromagnetic Lock Specification:

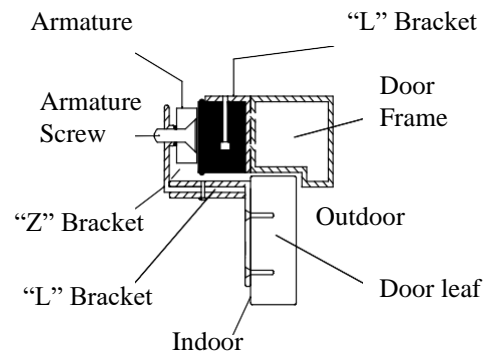
<b>Model</b>	SAT EL350S
<b>Power Supply (Recommended)</b>	12VDC 2A
<b>Operation current</b>	380mA/12VDC
<b>Door sensor</b>	Reed Switch
<b>Application</b>	Out-swing door and In-swing door
<b>Holding force</b>	300lbs
<b>Operation temperature</b>	35°C ± 5°C (Inside air temperature 30°C)
<b>Weight</b>	1Kg

## Installation instruction:

When installing magnetic lock user should be sure of type of door used magnetic lock is specifically for the use of out-swing door.

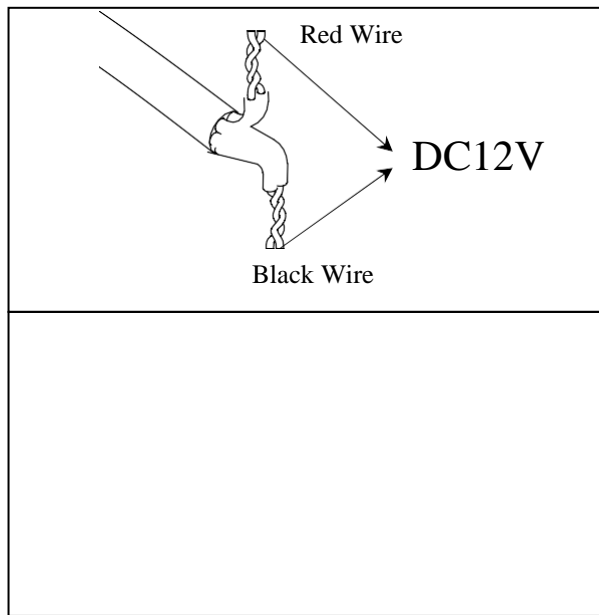
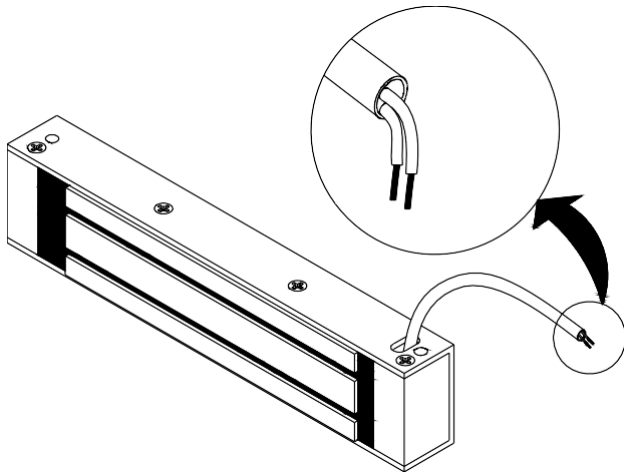


[Out-swing door]

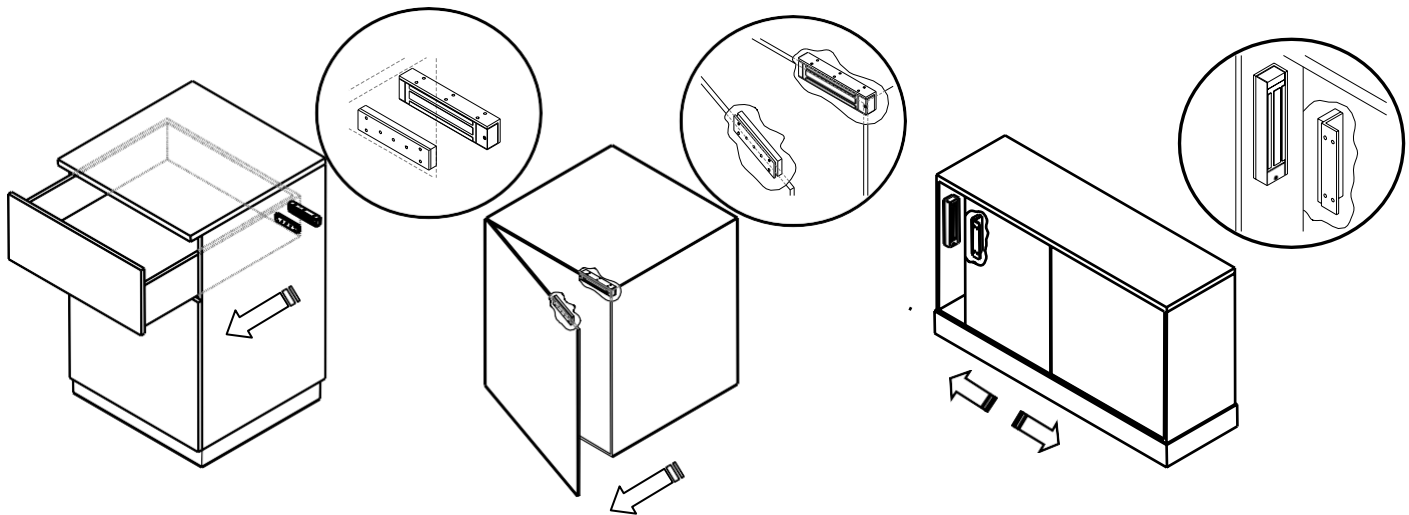


[Installation diagram]

[Select the correct voltage ]



[For drawer installation diagram]



\*Option "L bracket " to be used for fitting

